

VistaCam 1000

Weatherproof HD Wi-Fi Camera



Overview



Delivers Excellent 720p HD (1280x720) Video Quality for Surveillance Recordings



Built-in 8GB Memory for Local Storage of Data



Weatherproof with IP66 Casing



Supports Two Video Streaming Protocols (H.264, MJPEG) for High-Quality Videos



Built-in Infrared LEDs for Night Time Illumination



Supports IEEE 802.11 b/g/n Wireless Connectivity



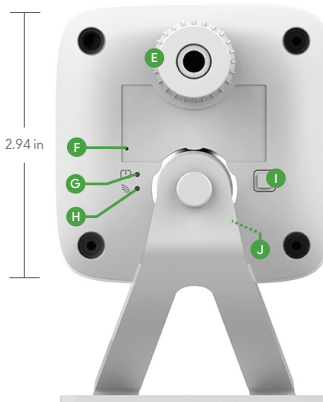
Simple Installation with Micro USB to Ethernet Cable Function only for Pairing

FRONT



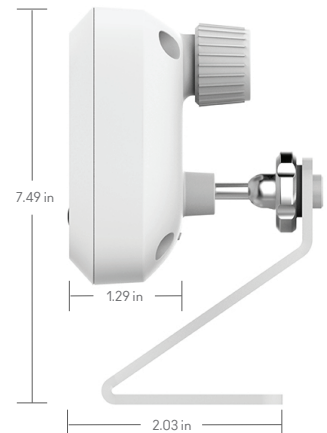
- A Light Sensor
- B Camera Lens
- C IR Night Illumination
- D PIR Sensor

BACK



- E Power Connection
- F Microphone
- G Power LED
- H Network LED
- I WPS/Reset Button (Wi-Fi Protected Setup)
- J LAN Port

SIDE



VistaCam 1000

Weatherproof HD Wi-Fi Camera



Software

Application
Vera UI7 or higher

Alarm & Event Management

Detection Type
Motion Detection, FTP, HTTP Notification

Sensor & Lens

Image Sensor
1/4" CMOS Sensor

Minimum Illumination
0 Lux (with IR LED)

Lens
Type: Fix Focus Lens
Aperture: F2.0
Diagonal View Angle: 110°

Video

Video Compression
H.264 Main Profile, M-JPEG

Video Streaming
Simultaneous H.264 and M-JPEG

Image Settings
Flip Brightness
Mirror Sharpness

Resolution & Frame Rate
720p, XGA, VGA, QVGA,
Up to 30 fps

Network

Protocols
TCP/IP, HTTP, HTTPS, DHCP, FTP, uPnP,
NTP, RTCP, DNS, RTSP

Wireless
IEEE 802.11b/g/n, WEP 64/128 bit,
WPA/WPA2 Personal, WPS

Hardware

Processors & Memory
Processor: ARM9, 720MHz
NAND Flash: 128MB
RAM: 256MB
Built-in Memory: 8GB

Connectors
1 DC Power Jack
1 Micro USB to Ethernet Cable

Night Vision
IR LED x 2; Range: 16 feet (5 Meters)
LEDs & Buttons
2 LEDs: Power, Network/Wireless
1 Button: Reset (with WPS Function)

Power Adapter
Input: 100-240 VAC, 50-60 Hz
Output: 12VDC, 1.5A

Dimensions (H x W x D)
3.00" x 3.00" x 1.29" (76.4mm x 76.4mm x 32.8mm)
Compliance
FCC, CE, UL

Environment

Operation
Temperature: -4° to 122°F (20° to 50°C)
Humidity: 10% to 85% RH (non-condensing)

Storage
Temperature: -40° to 158°F (-40° to 70°C)
Humidity: 0% to 90% RH (non-condensing)

Accessories

Included In The Box
AC Power Adapter (12V / 1.5A, 100-240VAC)
Micro USB to Ethernet Adapter
Stand